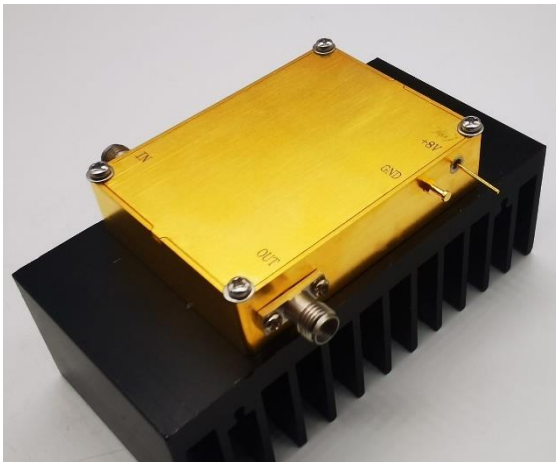


x6 V Band Active Multiplier

2022-3-13

57-66GHz, Pout=+26dBm, 1.85mm Female



Product Overview

AT-AM6-5766VG-26 is a V band, active x6 frequency multiplier. The multiplier has an input frequency of 9.5-11 GHz with a typical output +26dBm from 57-66GHz.

The integrated input and output buffers deliver high output power at a low drive level. The multiplier also has a typical harmonic suppression of -20dBc. The input port is SMA female, and the output is a 1.85mm Male. Other port configurations are available under different requirement.

More information, please visit www.atmicrowave.com

Advantages

- ✓ Frequency: 57-66GHz
- ✓ Pout: +26dBm typical
- ✓ Input: 9.5-11GHz, +5dBm
- ✓ Single Power Supply

Application

- ✓ V band Communication
- ✓ Test Equipment
- ✓ ROF (RF Over Fiber)
- ✓ Radar System

Key Features

Parameter	Min	Typical	Max
Input Frequency	9.5GHz		11GHz
Input Power	0	+5dBm	+10
Multiplier Factor		X6	
Output Frequency	57GHz		66GHz
Output Power	+25dBm	+26dBm	
Harmonic Suppression		-35dBc	
Drain Voltage		+5V	+8V
Current		1.5A	
Spec Temp		25C	





AT-AM6-5766VG-26

Active Multiplier x6, 57-66GHz Pout=+26dBm

Mechanical Information

Item	Description
Input Port	SMA Female
Output Port	1.85mm Fmale
Case Material	Copper
Finish	Gold Plated
Weight (Without Heatsink)	190g
Size:	See outline

Absolute Maximum Ratings Table

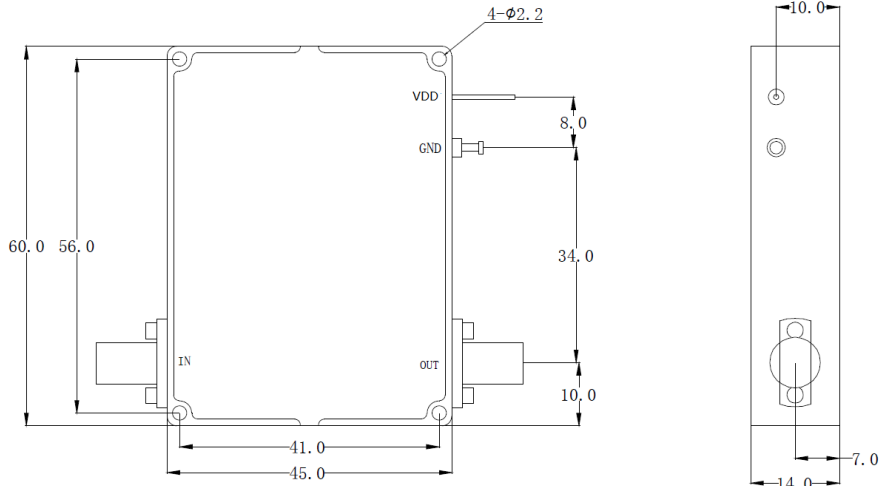
Parameter	Value
Drain Supply	+9V
RF Input Power	+15dBm
Operating Temperature	0 to +50C
Storage Temperature	-65 to +150C

Notes:

1. Datasheet may be changed according to update of MMIC, Raw materials , process, and so on.
2. This data is only for reference, not for guaranteed specifications.
3. Please contact AT Microwave team to make sure you have the most current data.

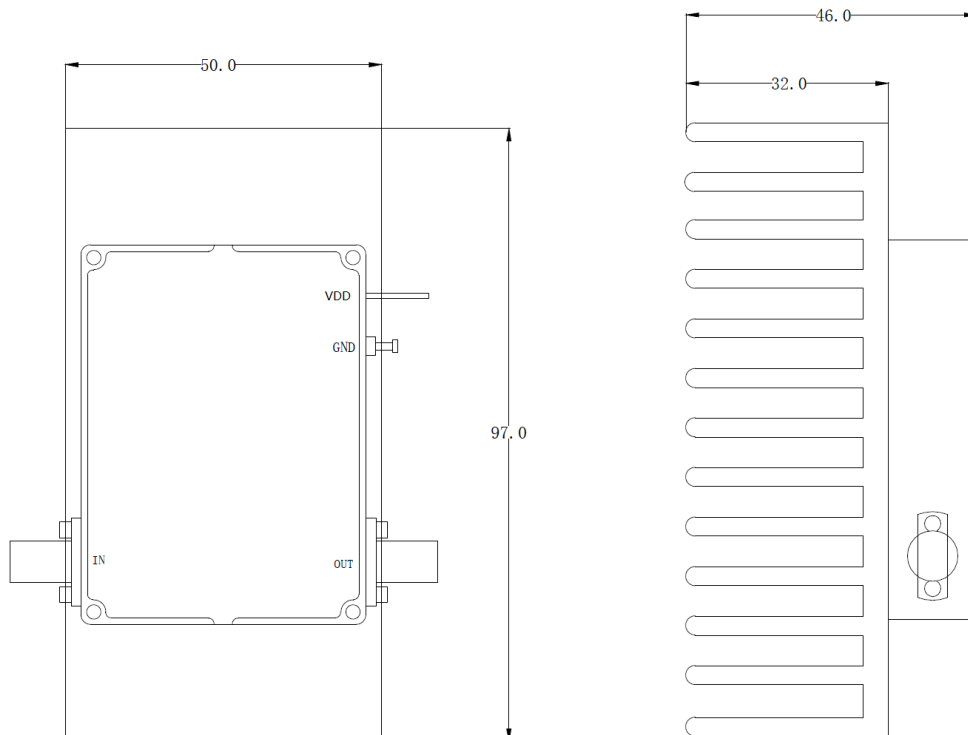


Dimension: (mm)



	<26.5GHz	<40GHz	<50GHz	<67GHz
Connector	SMA	2.92mm	2.4mm	1.85mm
Lenth of a	9.4mm	9.5mm	10.8mm	11.3mm

Note: Female Default. Contact with us for other types.



Including a small heatsink without Fan if output Power higher than +20dBm.

Customers can removed it or use their own heatsink according to actual situation.

Heat Sink Required During Operation if case Temp higher than 50C

